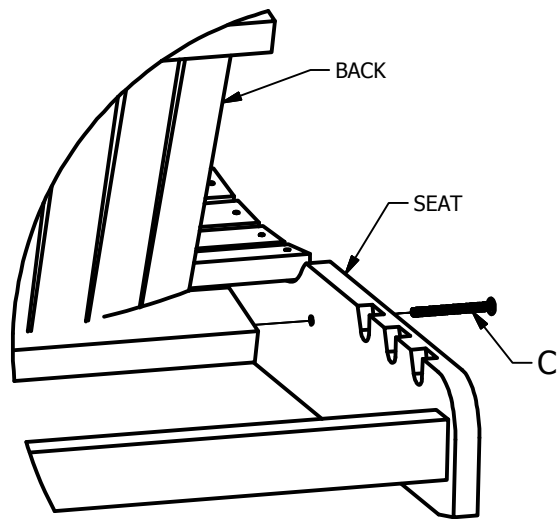


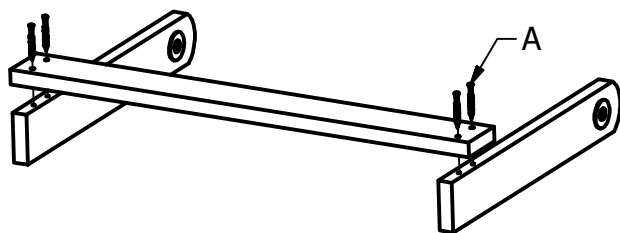
Adirondack Collection

King Hamilton Folding & Reclining Adirondack Chair

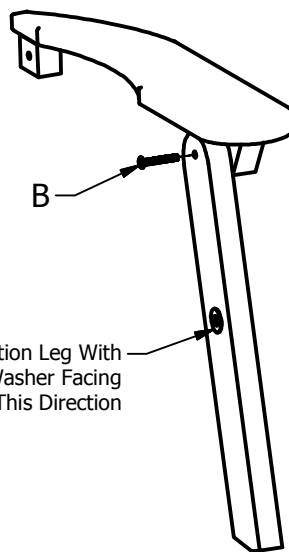
Assembly Guide



- 1) Attach Seat to Back using bolt C.
- 2) Repeat on other side.




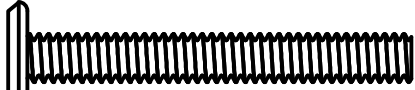
- 3) Attach Back Support Rail (Shorter Board) to Back Support Sides with four A screws.

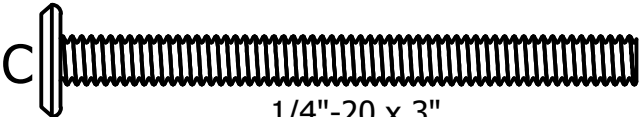


- 4) Attach Leg to Arm Assembly using bolt B.
- 5) Repeat on other side.

HARDWARE

A  x10
#7 x 1-5/8"

B  x4
1/4"-20 x 2"

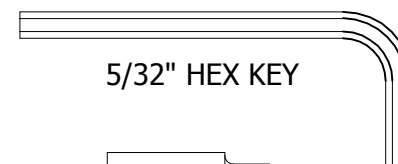
C  x4
1/4"-20 x 3"

IMPORTANT!

DO NOT fully tighten the bolts until all bolts are started. Once all bolts are inserted, go back & tighten all the bolts.

Retain these instructions for future reference

INCLUDED TOOLS



5/32" HEX KEY



T-15 TORX BIT

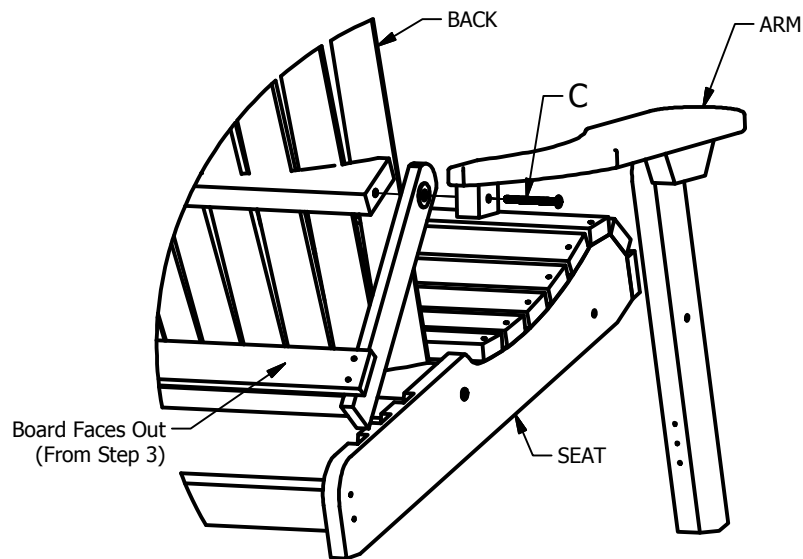
CUSTOMER-SUPPLIED TOOLS

Cordless screwdriver/drill OR
Multi-bit handle for the Torx bit.

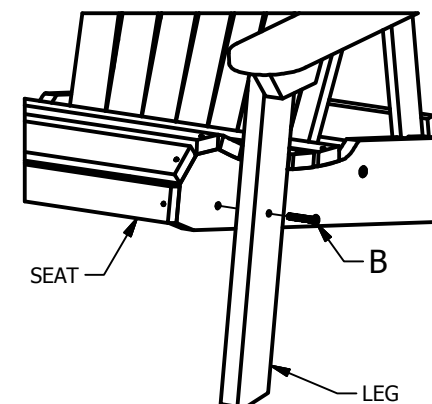
Adirondack Collection

King Hamilton Folding & Reclining Adirondack Chair

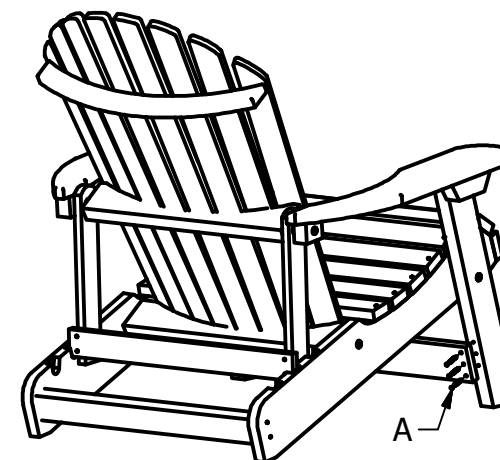
Assembly Guide



- 6) Insert bolt C from Arm, through Back Support Side, into Back.
- 7) Repeat on other side.



- 8) Attach Front Leg to Seat using Bolt B.
- 9) Repeat on other side.



- 10) Attach Front Leg Support to Front Leg with three A screw.
- 11) Repeat on other side.

IMPORTANT NOTE!

NEVER adjust the level of recline while you are sitting in the chair, or while anyone else is in the chair. Always adjust with an empty chair and ensure that the back-support is completely secure in the recline slots on each side of the chair.

To fold the chair, lift the back-support and gently push down on the back of the chair. The chair will collapse down to floor level.